

## C-Top

Very low profile 900/1800  
MHz Antenna

### Features

- ◆ Groundplane Independent
- ◆ Covers 900/1800 MHz bands
- ◆ SMA-Female connector underneath
- ◆ Cannot be mounted on metal

### Specifications

|                   |                     |
|-------------------|---------------------|
| Radiating element | 1/2 Wave Element    |
| Frequency range   | 900/1800 MHz        |
| Peak gain         | 1.0 dBi             |
| Polarisation      | Linear              |
| Return loss       | -8.0 dB             |
| Power rating      | 10W                 |
| Cable / Connector | SMA-Female          |
| Dimensions        | 84 x 13.2mm (d x h) |

### Popular Ordering Options

|                    |                         |
|--------------------|-------------------------|
| FZTP35122-SFP-XX-W | C-Top with White Radome |
| FZTP35122-SFP-XX-B | C-Top with Black Radome |

[www.ead-ltd.com](http://www.ead-ltd.com)

Specifications subject to change without notice.

5 Little Balmer  
Buckingham Industrial Park  
Buckingham  
MK18 1TF  
UK

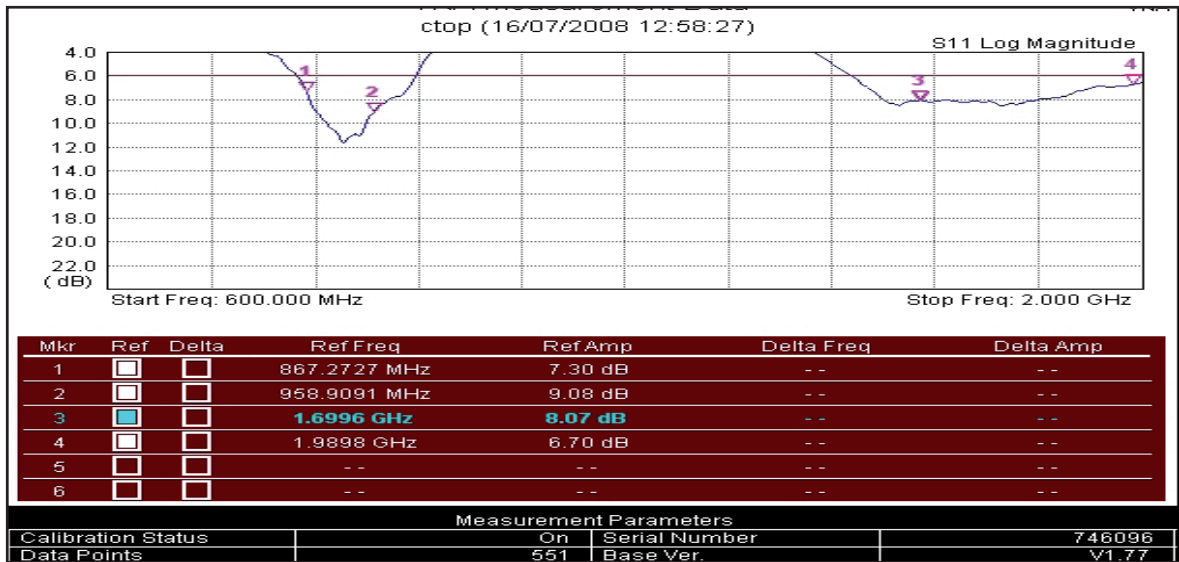
Tel: +44 (0)1280 825044  
Fax: +44 (0)1280 817179  
Email: [sales@ead-ltd.com](mailto:sales@ead-ltd.com)  
Web: [www.ead-ltd.com](http://www.ead-ltd.com)

**EAD**   
embedded antenna design ltd

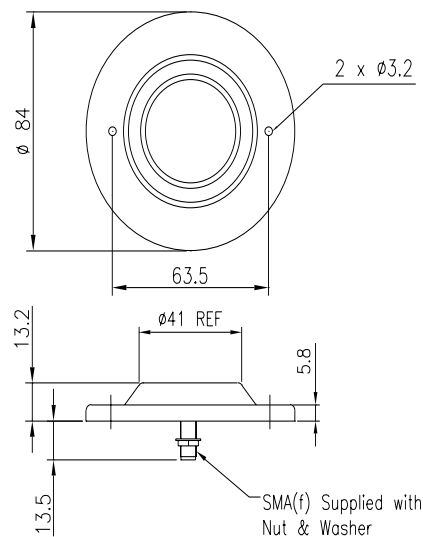


## C-Top | Very Low Profile GSM Antenna

### Return Loss



### Outline Drawing



Specifications subject to change without notice.

5 Little Balmer  
Buckingham Industrial Park  
Buckingham  
MK18 1TF  
UK

Tel: +44 (0)1280 824055  
Fax: +44 (0)1280 817179  
Email: sales@ead-ltd.com  
Web: www.ead-ltd.com