



## BT-Stubby

2.4 GHz 1/4 Wave  
Stubby Antenna

### Features

- 1/4 Wave Stubby Antenna
- Straight SMA Connector
- Groundplane Dependent
- Ideal for fixed and mobile devices

### Specifications

Radiating element	1/4 Wave Helical
Frequency range	2.4 - 2.5 GHz
Peak gain	0 dBi
Polarisation	Linear
Return Loss	-14 dB
Impedance	50 Ohm
Cable / Connector	SMA-Male
Dimensions	33 x 8.3 mm (max)

### Ordering Options

FBTS35024-SM-ST	BT-Stubby with SMA-Male ST Connector
-----------------	--------------------------------------

[www.ead-ltd.com](http://www.ead-ltd.com)

Specifications subject to change without notice.

5 Little Balmer  
Buckingham Industrial Park  
Buckingham  
MK18 1TF  
UK

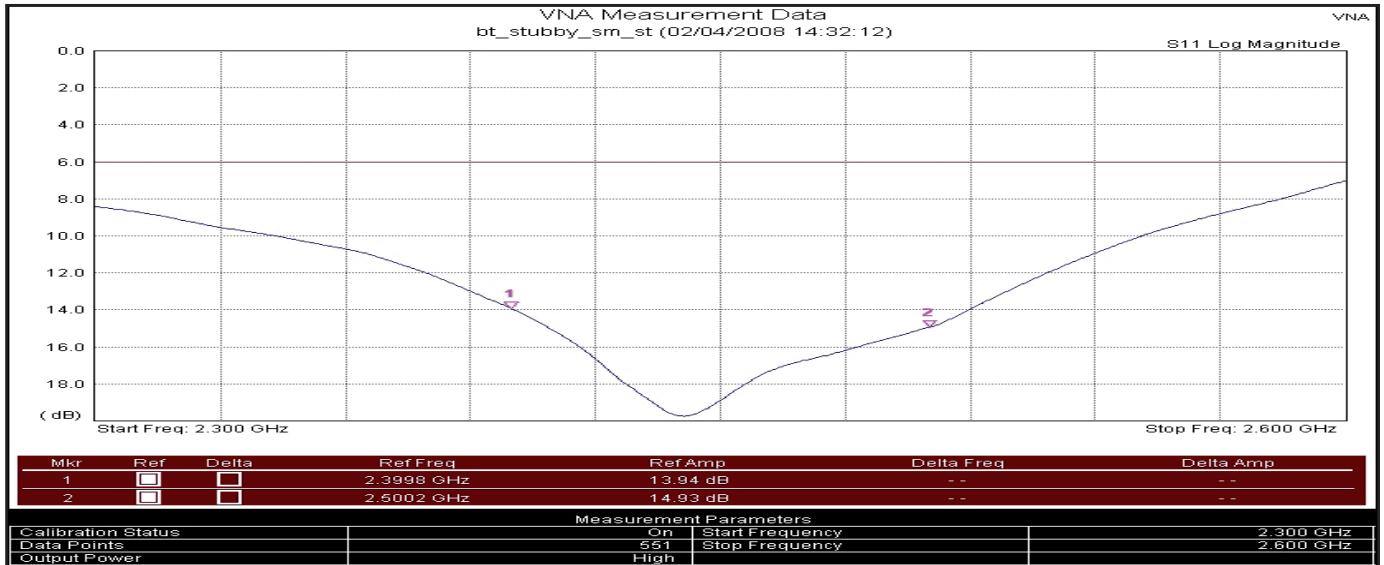
Tel: +44 (0)1280 824055  
Fax: +44 (0)1280 817179  
Email: [sales@ead-ltd.com](mailto:sales@ead-ltd.com)  
Web: [www.ead-ltd.com](http://www.ead-ltd.com)

**EAD**   
embedded antenna design ltd

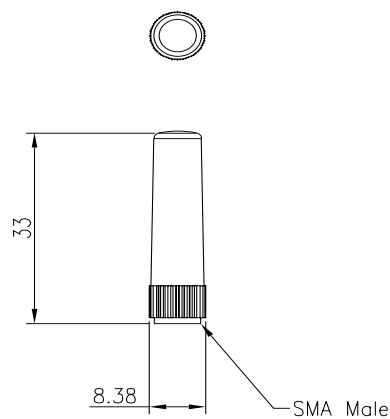


## BT-Stubby | 2.4 GHz Stubby ST Antenna

### Return Loss



### Outline Drawing



Specifications subject to change without notice.

5 Little Balmer  
Buckingham Industrial Park  
Buckingham  
MK18 1TF  
UK

Tel: +44 (0)1280 824055  
Fax: +44 (0)1280 817179  
Email: sales@ead-ltd.com  
Web: www.ead-ltd.com