

Z-POWER LED [P9 Series]



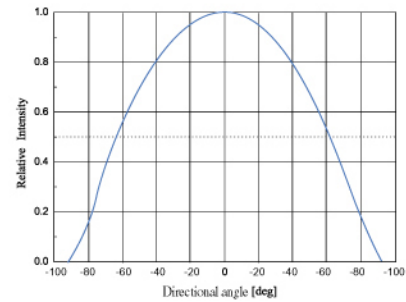
Features

- Easy to install 2nd optics
- Perfect radiation on the PKG surface
- Reflow solderable
- Compact size
- PKG available for various viewing angles
- Lead Free product
- RoHS compliant

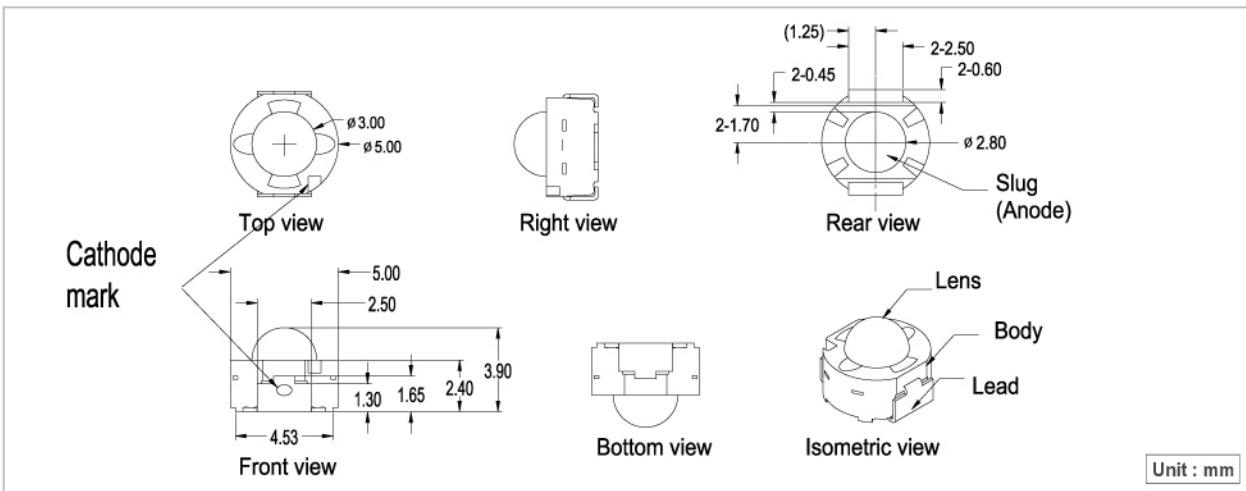
Applications

- Channel letter
- General lighting
- Architectural lighting

Radiation Pattern



Outline Dimension



Absolute Maximum Ratings(at $T_A=25^\circ\text{C}$)

Parameter	Symbol	Value	Unit
Power Dissipation	P_d	0.7	W
Forward Current	I_F	0.2	A
Junction Temperature	T_j	125	$^\circ\text{C}$
Operating Temperature	T_{opr}	-30~+85	$^\circ\text{C}$
Storage Temperature	T_{stg}	-40~+120	$^\circ\text{C}$
ESD Sensitivity	-	$\pm 15,000$ (HBM)*	V

* HBM : Human body model

Electro-Optical Characteristics(at $I_F=150\text{mA}$, $T_A=25^\circ\text{C}$)

Color	Part No.	ϕ_v [lm]	CCT [K]	CRI	V_f [V]	Viewing Angle $2\theta_{1/2}$ [°]
					Typ	
Pure white	W92050C	28	6300	70	3.65	123
Warm white	N92050	15	3000	80	3.5	130